



Filter Valve Functions

BACKWASH – For cleaning filter sand bed of accumulated debris

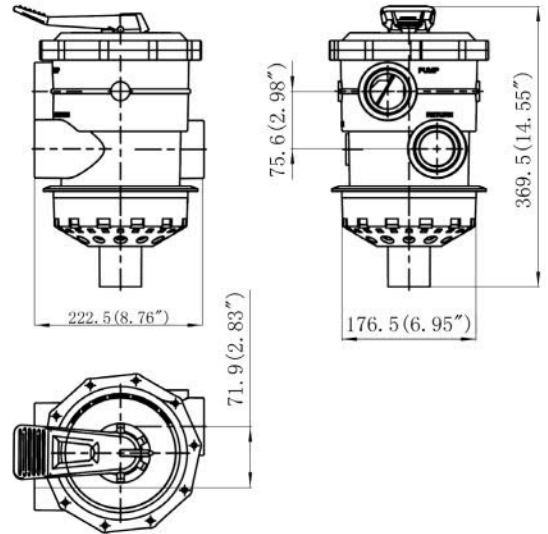
RINSE – Use after completing backwash cycle to ensure all dirty water is rinsed out of the filter to waste

WASTE – By-passes the filter for draining or lowering pool water level and for vacuuming heavy debris directly to waste line

RECIRCULATE – Water is recirculate through the valve, bypassing the filter.

CLOSED – Shuts off the flow from the pump to the filter

FILTER – For normal filtering and regular vacuuming



Model Number	Valve Positions	Pipe Size	Mounting Location	Material	Ctn. Qty.	Net. Weight	Carton Dimension (cm)
647309071	6	2"FIP	Top	ABS	1	6.6 lbs.	41*24*24



Filter Valve Functions

BACKWASH – For cleaning filter sand bed of accumulated debris

RINSE – Use after completing backwash cycle to ensure all dirty water is rinsed out of the filter to waste

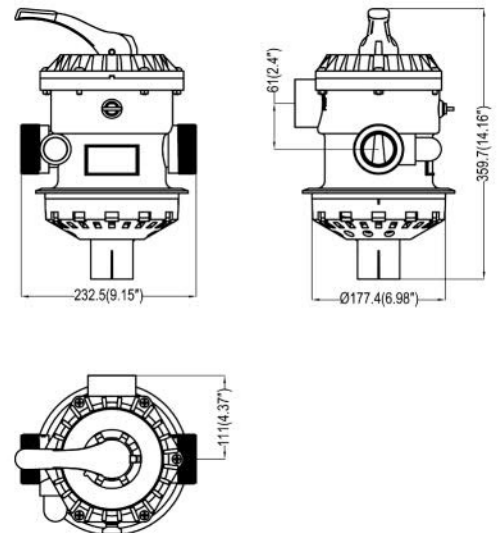
WASTE – By-passes the filter for draining or lowering pool water level and for vacuuming heavy debris directly to waste line

RECIRCULATE – Water is recirculate through the valve, bypassing the filter.

CLOSED – Shuts off the flow from the pump to the filter

FILTER – For normal filtering and regular vacuuming

WINTER – For winterizing



Model Number	Valve Positions	Pipe Size	Mounting Location	Material	Ctn. Qty.	Net. Weight	Carton Dimension (cm)
647304071	7	1 1/2"FIP	Top	ABS	1	4.5 lbs.	38*20.5*22