



### Filter Valve Functions

**BACKWASH** – For cleaning filter sand bed of accumulated debris

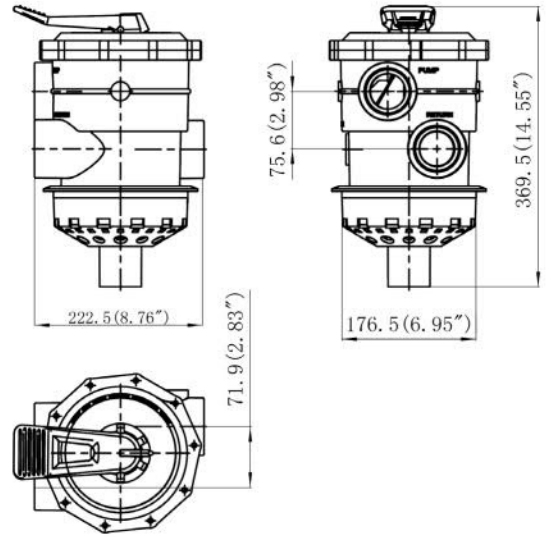
**RINSE** – Use after completing backwash cycle to ensure all dirty water is rinsed out of the filter to waste

**WASTE** – By-passes the filter for draining or lowering pool water level and for vacuuming heavy debris directly to waste line

**RECIRCULATE** – Water is recirculate through the valve, bypassing the filter.

**CLOSED** – Shuts off the flow from the pump to the filter

**FILTER** – For normal filtering and regular vacuuming



| Model Number | Valve Positions | Pipe Size | Mounting Location | Material | Ctn. Qty. | Net. Weight | Carton Dimension (cm) |
|--------------|-----------------|-----------|-------------------|----------|-----------|-------------|-----------------------|
| 647309071    | 6               | 2" FIP    | Top               | ABS      | 1         | 6.6 lbs.    | 41*24*24              |



### Filter Valve Functions

**BACKWASH** – For cleaning filter sand bed of accumulated debris

**RINSE** – Use after completing backwash cycle to ensure all dirty water is rinsed out of the filter to waste

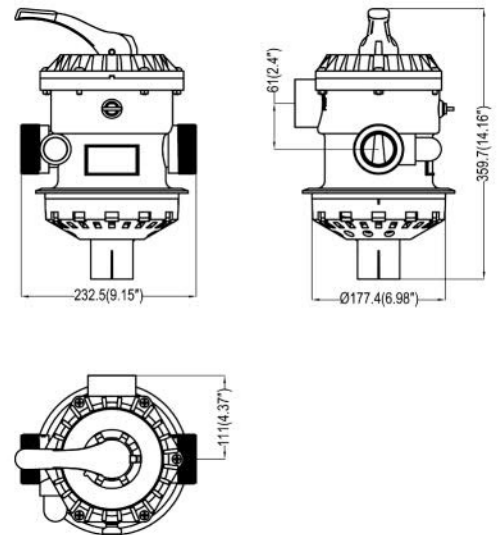
**WASTE** – By-passes the filter for draining or lowering pool water level and for vacuuming heavy debris directly to waste line

**RECIRCULATE** – Water is recirculate through the valve, bypassing the filter.

**CLOSED** – Shuts off the flow from the pump to the filter

**FILTER** – For normal filtering and regular vacuuming

**WINTER** – For winterizing



| Model Number | Valve Positions | Pipe Size  | Mounting Location | Material | Ctn. Qty. | Net. Weight | Carton Dimension (cm) |
|--------------|-----------------|------------|-------------------|----------|-----------|-------------|-----------------------|
| 647304071    | 7               | 1 1/2" FIP | Top               | ABS      | 1         | 4.5 lbs.    | 38*20.5*22            |